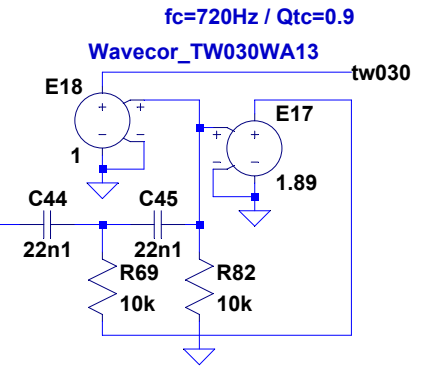
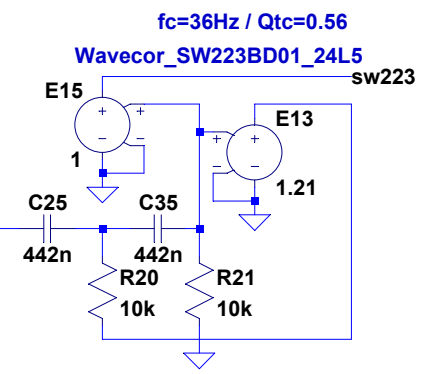
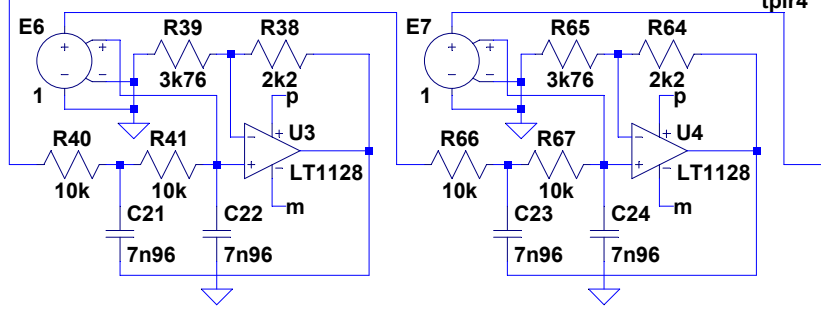


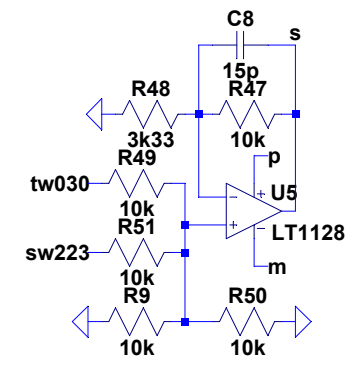
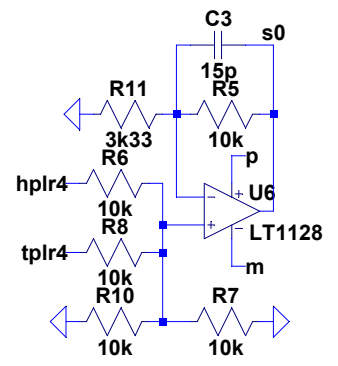
f(-6dB)=2kHz



fc=720Hz / Qtc=0.9



fc=36Hz / Qtc=0.56



.ac oct 128 20 20k